



ADVANCED LOUDSPEAKERS

## 140-15 D *FLATFOIL*<sup>®</sup>

TRUE RIBBON DRIVER

A COMPLETELY NEW DEFINITION OF AN OLD CONCEPT. ART AND SCIENCE BROUGHT TOGETHER THAT WILL GIVE YOU MORE THAN YOU HAVE EVER EXPECTED FROM ANY TRANSDUCER. BUILT TO LAST A LIFETIME.

### FEATURES :

- SPECIAL *FLATFOIL*<sup>®</sup> PURE ALUMINIUM RIBBON
- SPECIAL *SYMMLEAD*<sup>®</sup> LOW INDUCTANCE SIGNAL PATH
- SPECIAL *EQUAFIELD*<sup>®</sup> NDFEB MAGNETIC STRUCTURE
- SPECIAL "NON-WAVE-GUIDE" INOX FRONT PLATE
- UNIQUE "DEFLECTOR PADS"
- EXCEPTIONAL VERTICAL DISPERSION
- SUPER-FAST SETTLING TIME
- FLAT FREQUENCY RESPONSE
- LOW DISTORTION
- HIGHEST RELIABILITY
- HIGH SIGNAL POWER HANDLING

*FLATFOIL*, *SYMMLEAD*<sup>®</sup> AND *EQUAFIELD*<sup>®</sup> ARE REGISTERED TRADEMARKS OF RAAL ADVANCED LOUDSPEAKERS D.O.O.

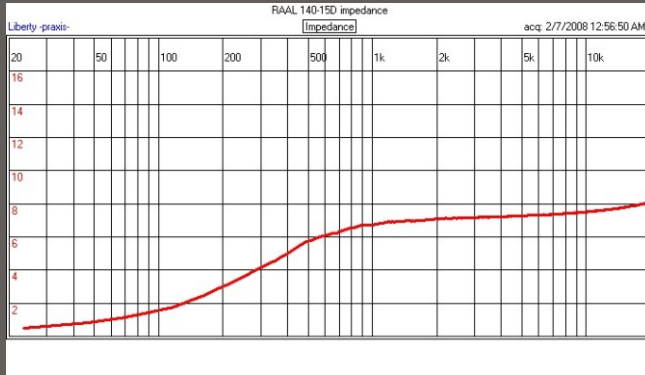


RAAL ADVANCED LOUDSPEAKERS D.O.O.  
DJORDJA SIMEONOVICA 4, 19000 ZAJECAR, SERBIA

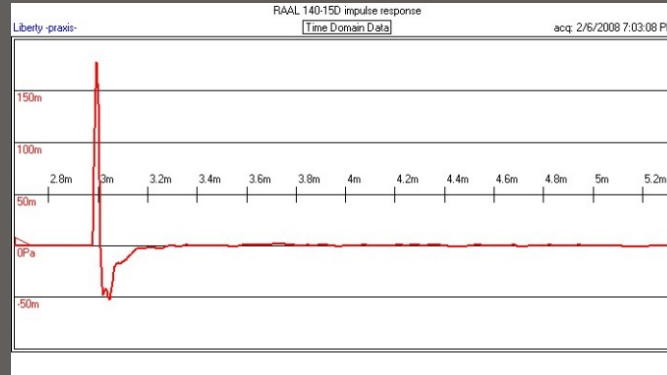
TEL: +381 64 144 1111  
FAX: +381 19 440 336  
WWW.RAALRIBBON.COM  
INFO@RAALRIBBON.COM

# RAAL

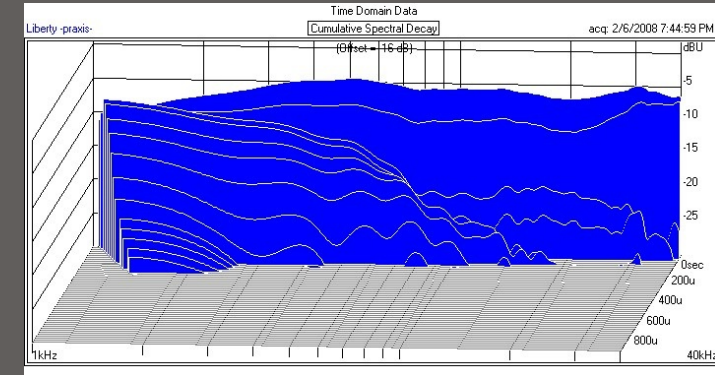
## 140-15D *FLATFOIL*<sup>®</sup>



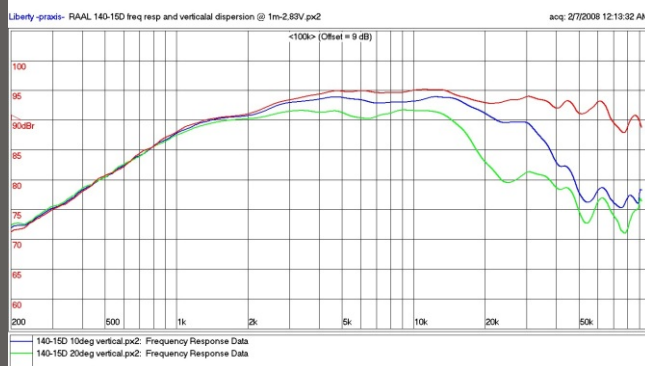
IMPEDANCE



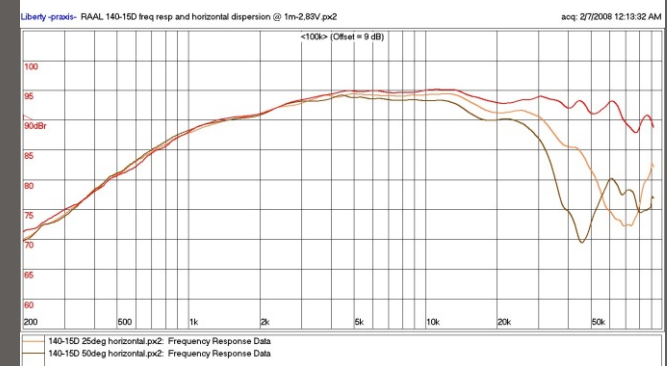
IMPULSE RESPONSE



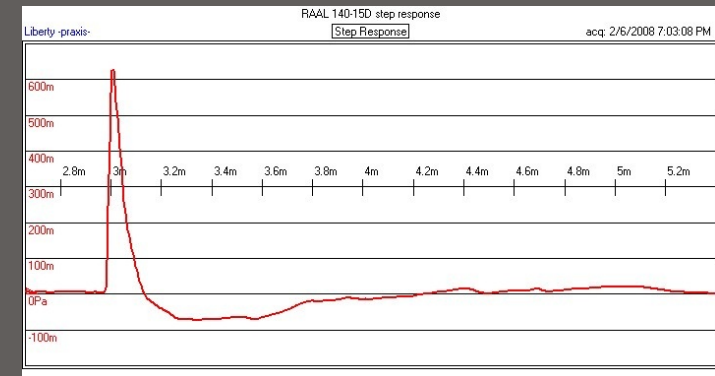
CUMULATIVE SPECTRAL DECAY



FREQUENCY RESPONSE - VERTICAL DISPERSION WITH ACOUSTICAL LENS (FOAM PADS)



FREQUENCY RESPONSE - HORIZONTAL DISPERSION WITH ACOUSTICAL LENS (FOAM PADS)



STEP RESPONSE

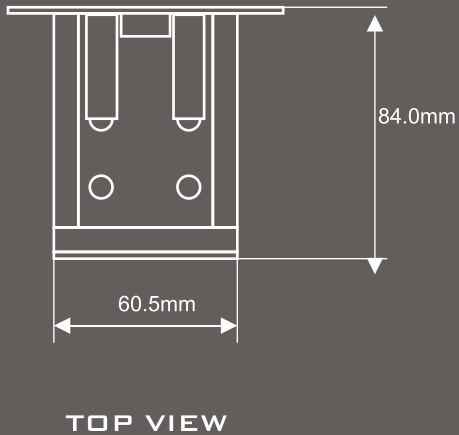
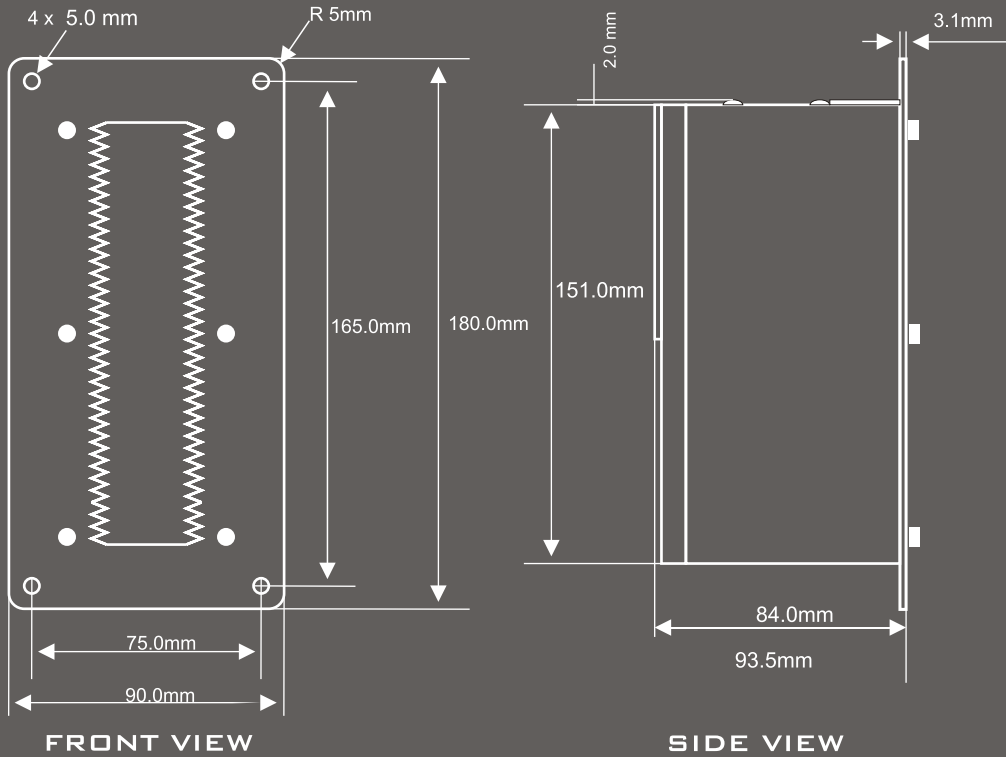
### SPECIFICATIONS:

RIBBON MATERIAL	ALUMINIUM
RIBBON DIMENSIONS	140 x 15 x 0.005 MM
RIBBON MASS	0.027 G
RIBBON AREA	21 CM SQ.
GAP INDUCTION	0.5 T
FREQ. RESPONSE	2KHZ ~ 60KHZ
SENSITIVITY	95 DB/1W/1M
IMPEDANCE	8 OHM
TRANSFORMER PRIMARY INDUCTANCE	2 MH
AMPLIFIER POWER HANDLING@ 2.5K L-R 4TH ORDER	150 W

# RAAL

## 140-15D *FLATFOIL*<sup>®</sup>

### MECHANICAL DRAWING

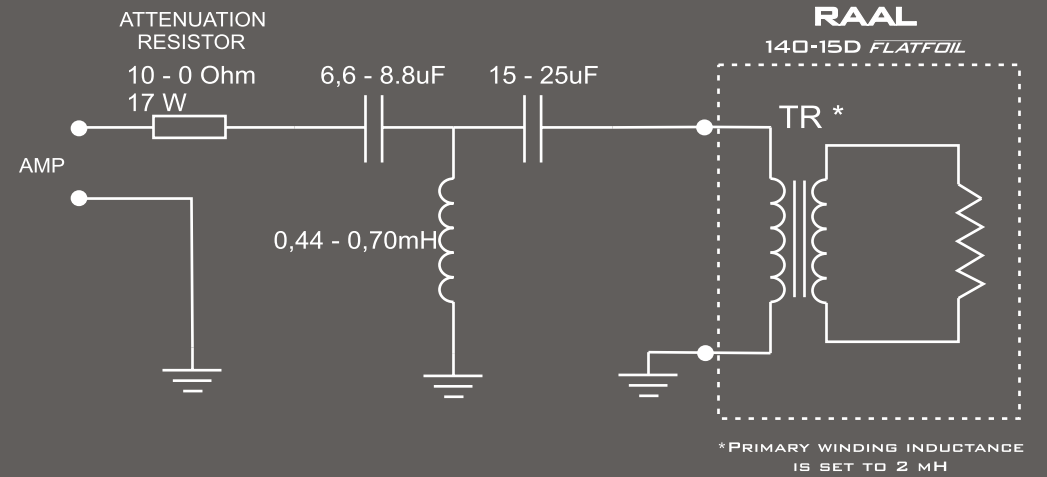


BAFFLE HOLE: 155 x 63 MM

WEIGHT: 2.7 KG

ALL DIMENSIONS +/- 0.3 MM

### RECOMMENDED CROSSOVER NETWORK



THE EXACT VALUES SHOULD BE DETERMINED BY ACOUSTIC MEASUREMENTS WITH THE BASS-MID UNIT.

RAAL ADVANCED LOUDSPEAKERS D.O.O.  
DJORDJA SIMEONOVICA 4, 19000 ZAJECAR, SERBIA

TEL: +381 64 144 1111  
FAX: +381 19 440 336  
WWW.RAALRIBBON.COM  
INFO@RAALRIBBON.COM